

PSU

PSU.sch

IO

OUT1
OUT2
OUT3
ADCD
1WireD

Wifi

◇ GP4
◇ GP5
◇ GP12
× GP13
× GP16
▷ ADC
▷ IN1
▷ IN2

WifiModule.sch

InputOutput.sch

Sheet: /
File: ESP8266-PID.sch

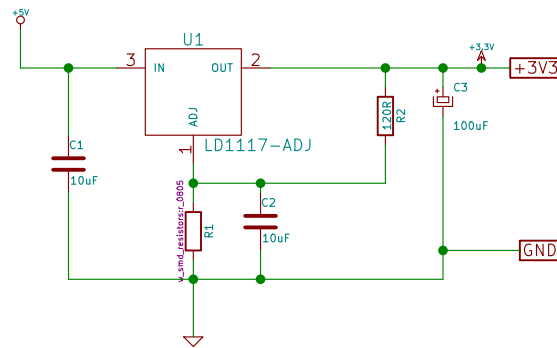
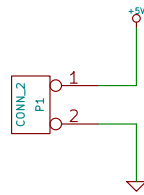
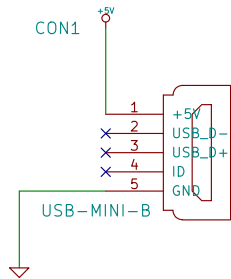
Title:

Size: A4

Date:

Rev:

KiCad E.D.A. eeschema (2016-06-21 BZR 6945, Git c11b0ce)-product Id: 1/4



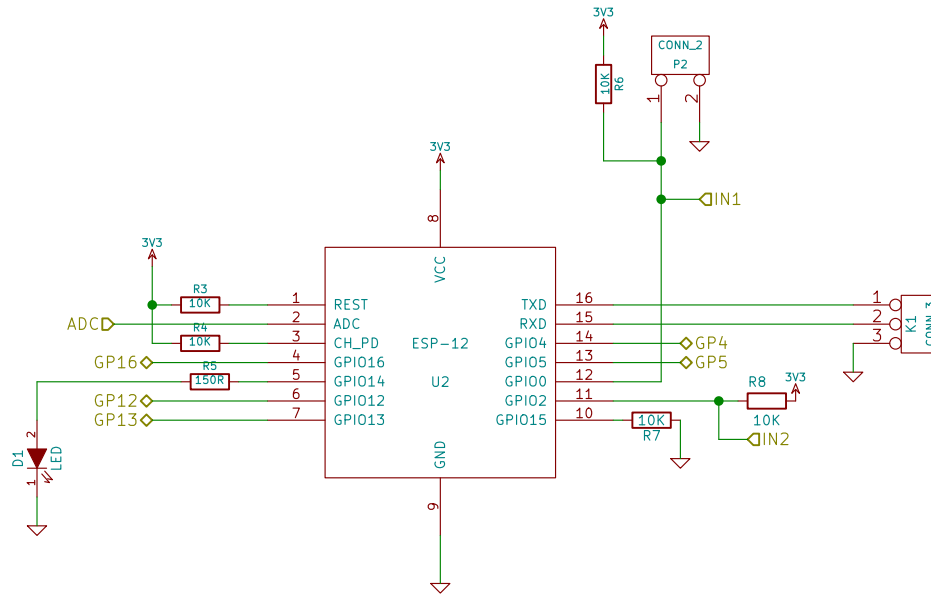
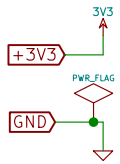
Sheet: /PSU/
File: PSU.sch

Title:

Size: A4 Date: 23 aug 2015

Rev:

KiCad E.D.A. eeschema (2016-06-21 BZR 6945, Git c11b0ce)-product Id: 2/4



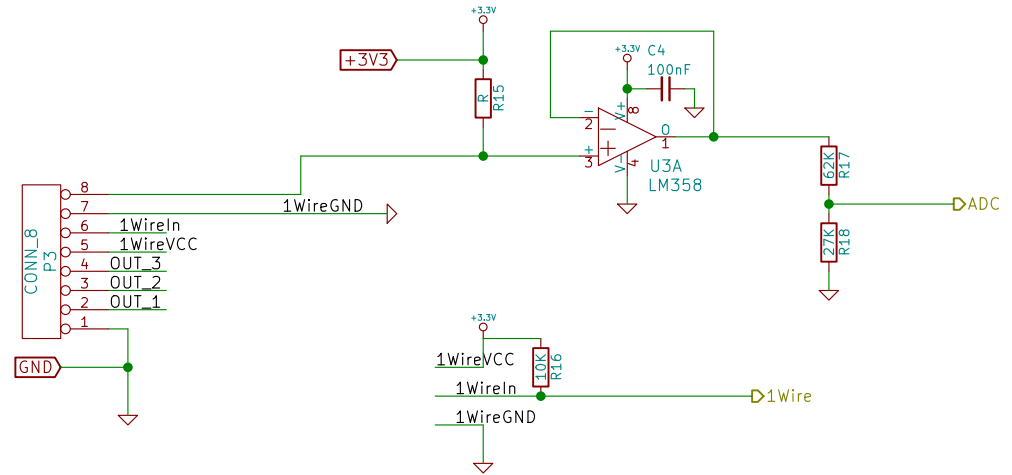
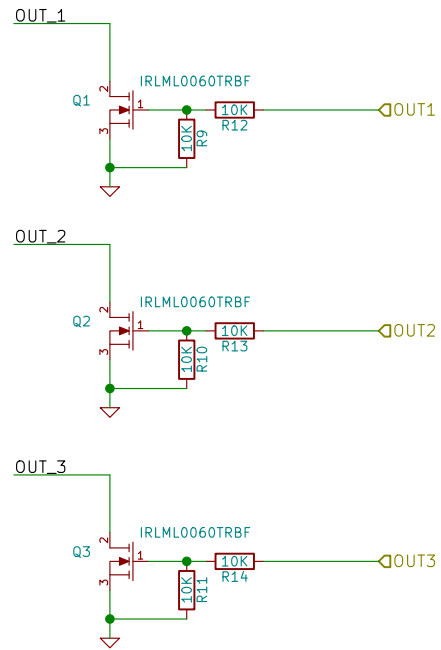
Sheet: /Wifi/
File: WifiModule.sch

Title:

Size: A4 Date: 23 aug 2015

Rev:

KiCad E.D.A. eeschema (2016-06-21 BZR 6945, Git c11b0ce)-product Id: 3/4



Sheet: /10/
 File: InputOutput.sch

Title:

Size: A4

Date:

Rev:

KiCad E.D.A. eeschema (2016-06-21 BZR 6945, Git c11b0ce)-product Id: 4/4