

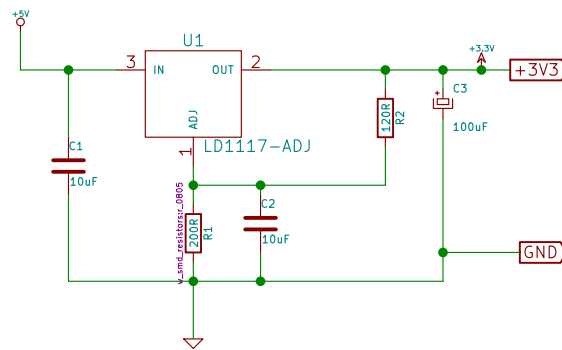
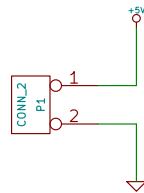
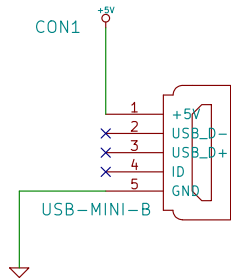
OUT0  
OUT1  
OUT2

Sheet: /  
File: ESP8266.sch

**Title:**

Size: A4 Date: 23 aug 2015  
KiCad E.D.A. kicad 4.0.2+e4-622538ubuntu15.10.1-stable

**Rev:**  
Id: 1/4

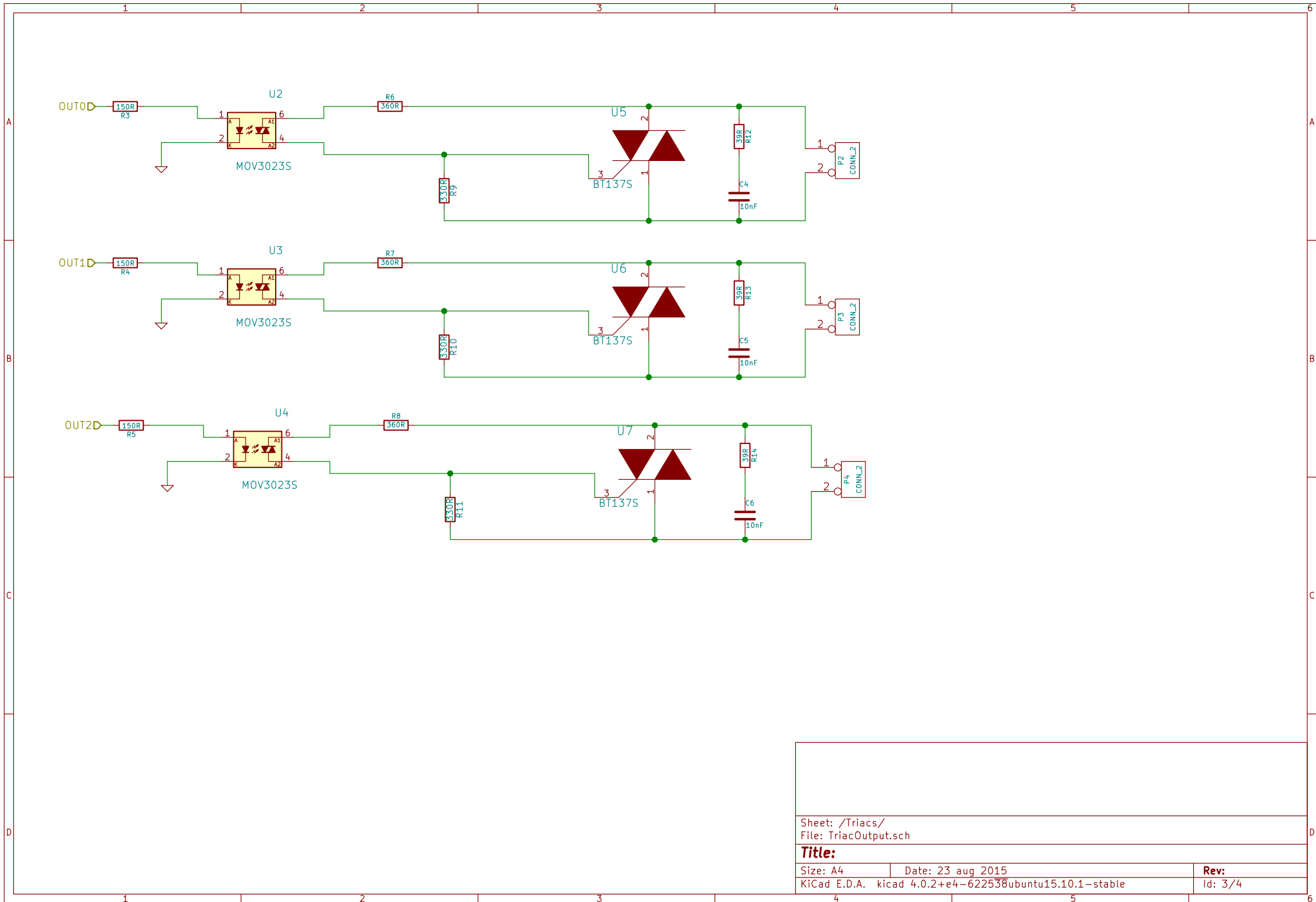


Sheet: /PSU/  
File: PSU.sch

**Title:**

Size: A4 Date: 23 aug 2015  
KiCad E.D.A. kicad 4.0.2+e4-622538ubuntu15.10.1-stable

Rev: Id: 2/4

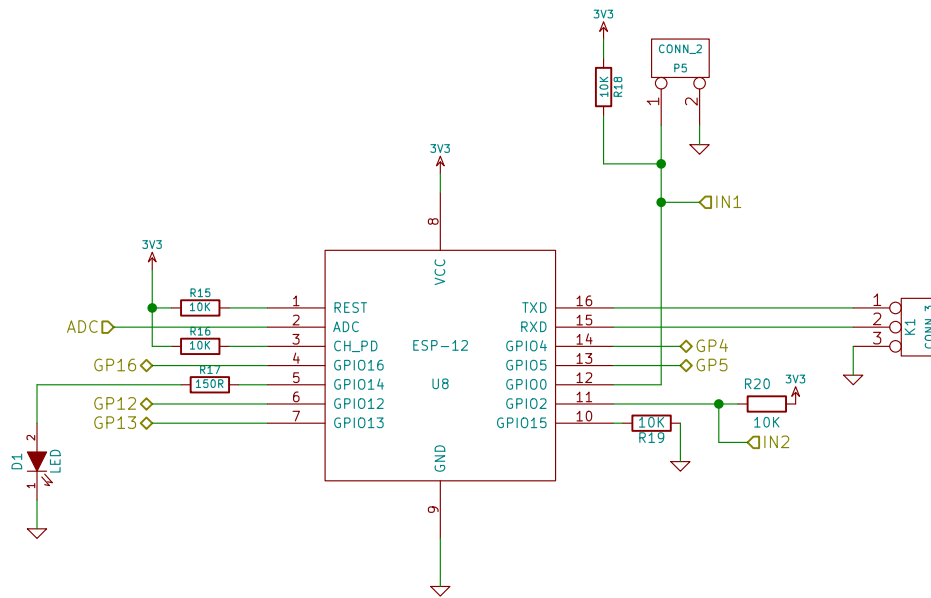
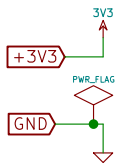


Sheet: /Triacs/  
 File: TriacOutput.sch

**Title:**

Size: A4      Date: 23 aug 2015  
 KiCad E.D.A. kicad 4.0.2+e4-622538ubuntu15.10.1-stable

**Rev:**  
 Id: 3/4



Sheet: /ESP8266/  
File: WifiModule.sch

**Title:**

Size: A4 Date: 23 aug 2015

KiCad E.D.A. kicad 4.0.2+e4-622538ubuntu15.10.1-stable

**Rev:**  
Id: 4/4